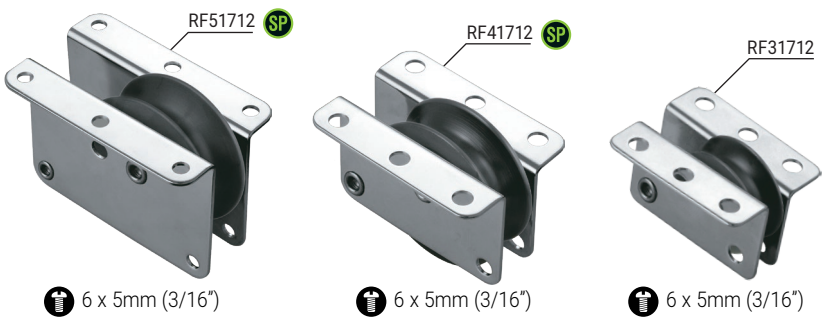
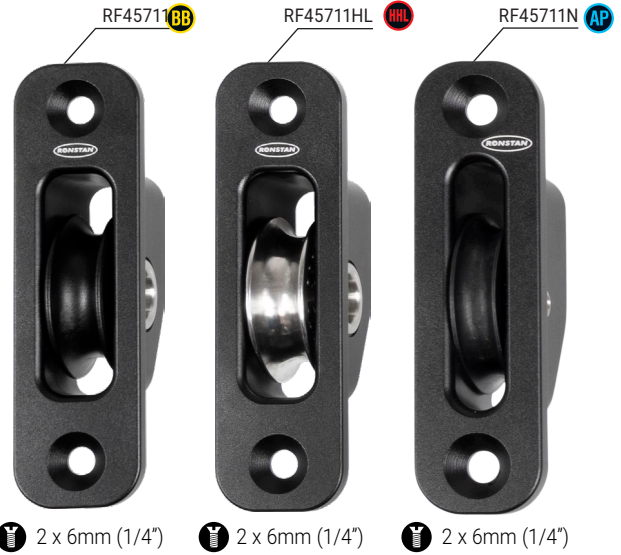
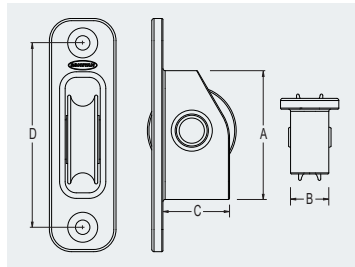
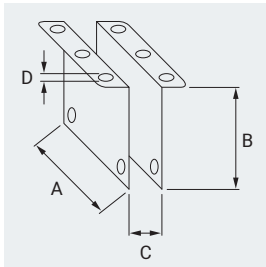




RF15711 (BB) 2 x 4mm (5/32")
 RF25711 (BB) 2 x 4mm (5/32")
 RF25711HL (HHL)
 RF35711 (BB) 2 x 5mm (3/16")
 RF35711HL (HHL)
 RF30721 (BB) 2 x 5mm (3/16")



RF51712 (SP) 6 x 5mm (3/16")
 RF41712 (SP) 6 x 5mm (3/16")
 RF31712 (SP) 6 x 5mm (3/16")



RF45711 (BB) 2 x 6mm (1/4")
 RF45711HL (HHL) 2 x 6mm (1/4")
 RF45711N (AP) 2 x 6mm (1/4")

- Exit and sheave boxes are ideal for applications where lines need to be led through decks, bulkheads or spars minimising friction and chafing.
- BB & AP sheaves: UV stabilised acetal.
- SP sheaves: Self-lubricating Nylatron®.
- HHL sheaves: Grade 2205 stainless steel.
- Housings: Grade 316 stainless steel.
- Housings: Aluminium alloy, anodised black RF45711, RF45711HL, RF45711N.

| PRODUCT No. | SHEAVE DIAM. mm | MAX. ROPE mm | MAX. WIRE mm | A mm | B mm | C mm | D mm | M.W.L. kg | B.L. kg | WEIGHT g | SHEAVE DIAM. in | MAX. ROPE in | MAX. WIRE in | A in | B in | C in | D in | M.W.L. lb | B.L. lb | WEIGHT oz |
|--|-----------------|--------------|--------------|------|------|------|------|-----------|---------|----------|-----------------|--------------|--------------|---------|--------|--------|---------|-----------|---------|-----------|
| Sheave Boxes - SP Special Purpose, Nylatron® Sheave | | | | | | | | | | | | | | | | | | | | |
| RF31712 | 30 | 8 | 4 | 44.0 | 27 | 14.0 | 5 | 375 | 800 | 45 | 1 3/16 | 5/16 | 5/32 | 1 3/4 | 1 1/16 | 9/16 | 3/16 | 830 | 1760 | 1.6 |
| RF41712 | 40 | 10 | 5 | 54.0 | 33 | 17.0 | 5 | 500 | 1000 | 75 | 1 9/16 | 3/8 | 3/16 | 2 1/8 | 1 5/16 | 11/16 | 3/16 | 1100 | 2200 | 2.6 |
| RF51712 | 50 | 12 | 5 | 62.0 | 42 | 21.0 | 5 | 750 | 1500 | 145 | 2 | 1/2 | 3/16 | 2 7/16 | 1 5/8 | 13/16 | 3/16 | 1650 | 3300 | 5.1 |
| Exit Blocks - BB Ball Bearing | | | | | | | | | | | | | | | | | | | | |
| RF15711 | 15 | 5 | - | 27.0 | 10 | 13.0 | 40 | 120 | 550 | 14 | 9/16 | 3/16 | - | 1 1/16 | 3/8 | 1/2 | 1 9/16 | 260 | 1210 | 0.5 |
| RF25711 | 20 | 6 | - | 34.0 | 12 | 13.0 | 48 | 250 | 1000 | 18 | 3/4 | 1/4 | - | 1 5/16 | 1/2 | 1/2 | 1 7/8 | 550 | 2200 | 0.6 |
| RF35711 | 30 | 8 | - | 42.0 | 14 | 19.0 | 58 | 300 | 1100 | 34 | 1 3/16 | 5/16 | - | 1 5/8 | 9/16 | 3/4 | 2 1/4 | 660 | 2430 | 1.2 |
| RF30721 | 30 | 8 | - | 68.0 | 18 | 23.0 | 82 | 300 | 750 | 60 | 1 3/16 | 5/16 | - | 2 11/16 | 11/16 | 15/16 | 3 1/4 | 660 | 1650 | 2.1 |
| RF45711 | 40 | 10 | - | 58.0 | 22 | 30.0 | 83 | 400/800* | 2000 | 77 | 1 9/16 | 3/8 | - | 2 1/4 | 7/8 | 1 3/16 | 3 1/4 | 880/1760* | 4410 | 2.7 |
| Exit Blocks - HHL High Grade Stainless Steel Sheave | | | | | | | | | | | | | | | | | | | | |
| RF25711HL | 20 | 6 | - | 34.0 | 12 | 13.0 | 48 | 300 | 1100 | 22 | 3/4 | 1/4 | - | 1 5/16 | 1/2 | 1/2 | 1 7/8 | 660 | 2430 | 0.8 |
| RF35711HL | 30 | 8 | - | 42.0 | 14 | 19.0 | 58 | 550 | 1100 | 56 | 1 3/16 | 5/16 | - | 1 5/8 | 9/16 | 3/4 | 2 1/4 | 1210 | 2430 | 2.0 |
| RF45711HL | 40 | 10 | - | 58.0 | 22 | 30.0 | 83 | 1000 | 2000 | 123 | 1 9/16 | 3/8 | - | 2 1/4 | 7/8 | 1 3/16 | 3 1/4 | 2200 | 4410 | 4.3 |
| Exit Blocks - AP All Purpose | | | | | | | | | | | | | | | | | | | | |
| RF45711N | 40 | 8 | - | 58.0 | 16 | 30.0 | 75 | 400/800* | 1600 | 65 | 1 9/16 | 5/16 | - | 2 1/4 | 5/8 | 1 3/16 | 2 15/16 | 880/1760* | 3530 | 2.3 |

*MWL = 400kg dynamic load, 800kg static load.